



Venmar AVS E10 HRV

Part no. 41126

50 to 105 CFM (0.4 in. w.g.)



VB0212

THE LATEST ADDITION TO OUR NEW E SERIES

This new model is designed to provide a superior heat recovery, meeting the highest requirements of energy-efficient home programs. By getting more points from it's category in the builder option packages*, it represents a cost-effective solution for efficient home contractors.

The E10 HRV offers all the basic features for the new construction market, such as integrated balancing dampers and a defrosting system without negative pressure. Moreover, all aspects of its design were thought to ease balancing of air flow and simplify installation; it also offers easy access to electronic components.

This unit does not only improve the indoor air quality, it also lowers the customer's energy bills while bringing added value to the contractor.

*Applies to certain energy-efficient building programs.

- Features pressure taps, balancing dampers and port straps to simplify installation
- Easy to access electronic module
- Homeshield™ defrosting system (no negative pressure)
- Heat recovery core offers greater comfort
- Designed with 2 PSC high-pressure blowers
- Integrated draining system
- ENERGY STAR® qualified

REPAIRS AND MAINTENANCE

The E10 HRV's low power consumption PSC motors are permanently lubricated. The electronic circuit board eliminates electromechanical parts, reducing repair time to a minimum.

WARRANTY

The E10 HRV is protected by a 5-year warranty on parts only, except for the heat recovery core, which is covered by a limited lifetime warranty, with the original proof of purchase.

Available at:



HEAT RECOVERY VENTILATOR

Controls

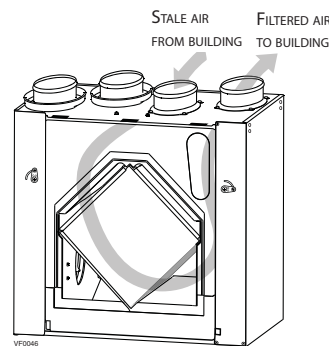
- This unit is very simple to operate. Once it is installed, press on its push button, located under the unit, to activate it. Press once for low speed, once again for high speed, and once more to stop it.
- For more convenience, this unit can also be controlled by an optional main control. For a complete list of optional main and auxiliary controls available, refer to the **Wall Control Compatibility Chart** on last pages of wall controls specification sheet, available at www.venmar.ca.
- For more details about controls, refer to the **Main and auxiliary wall controls** user guide, also available at www.venmar.ca.

Options

- Complete line of registers and diffusers
- Electric duct heater

Homeshield™ Defrosting System

The E10 HRV uses a unique defrosting method. No negative pressure is created by air exhausted to the outdoors, as the air is recirculated into the house, helping to prevent any backdraft.



OUTSIDE TEMPERATURE		DEFROST CYCLE MIN./ OPERATING MIN.
°C	°F	
WARMER THAN -5	WARMER THAN 23	NO DEFROST
-5 TO -15	23 TO 5	5/40
-15 TO -27	5 TO -17	5/25
-27 AND LESS	-17 AND LESS	8/22

Heat Recovery Core

Dimensions: 10" x 10" x 14.25" (25.4 cm x 25.4 cm x 36.2 cm)

Exchange surface: 100 ft.² (9.3 m²)

Weight: 7.26 lb. (3.3 kg)

Material: Polypropylene

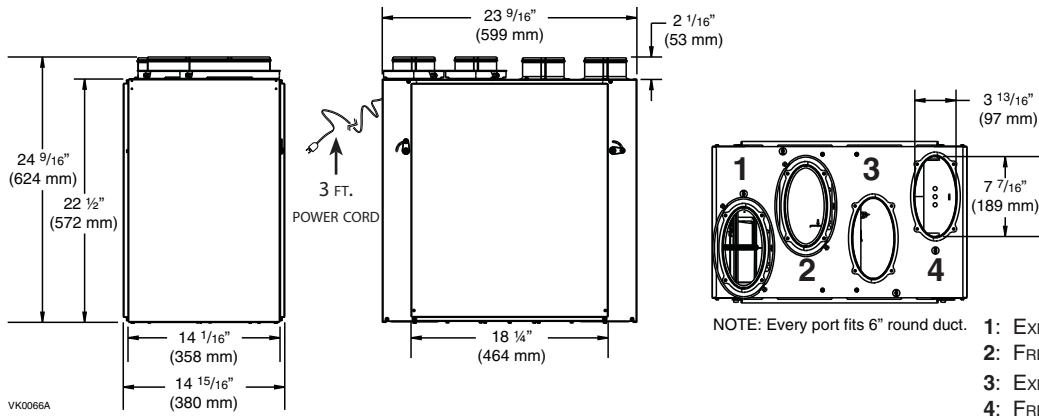
Type: Cross flow

Warranty: Limited lifetime

Requirements and standards

- Complies with the UL 1812 requirements regulating the installation of Heat Recovery Ventilators
- Complies with the CSA C22.2 no. 113 Standard applicable to ventilators
- Complies with CSA C444 requirements regulating the installation of Heat Recovery Ventilators
- Technical data was obtained from published results of tests relating to CSA C439 Standards
- HVI certified and ENERGY STAR® qualified

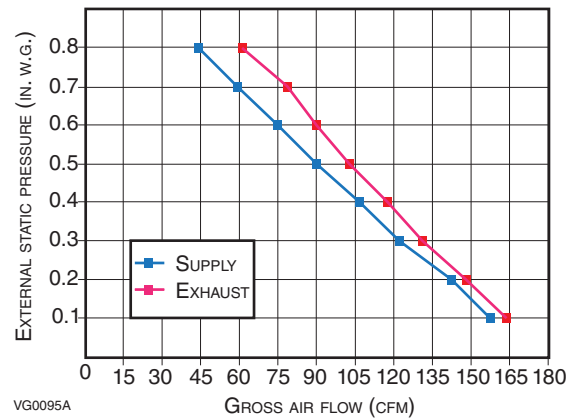
DIMENSIONS: E10 HRV



NOTE: ALL UNITS PORTS WERE CREATED TO BE CONNECTED TO DUCTS HAVING A MINIMUM OF 6" DIAMETER, BUT IF NEED BE, THEY CAN BE CONNECTED TO BIGGER SIZED DUCTS BY USING AN APPROPRIATE TRANSITION (E.G.: 6" DIAMETER TO 7" DIAMETER TRANSITION).

VENTILATION PERFORMANCE

EXTERNAL STATIC PRESSURE		NET SUPPLY AIR FLOW			GROSS AIR FLOW					
PA	IN. W.G.	L/S	CFM	M ³ /H	SUPPLY			EXHAUST		
					L/S	CFM	M ³ /H	L/S	CFM	M ³ /H
25	0.1	74	157	267	75	158	268	77	164	279
50	0.2	66	139	236	66	140	238	70	148	251
75	0.3	58	122	207	58	122	207	63	132	224
100	0.4	50	105	178	50	106	180	55	117	199
125	0.5	42	90	153	42	90	153	49	104	177
150	0.6	35	74	126	35	75	127	42	90	153
175	0.7	28	59	100	28	59	100	37	78	133
200	0.8	20	43	73	21	44	75	31	66	112



ENERGY PERFORMANCE

SUPPLY TEMPERATURE		NET AIR FLOW			POWER CONSUMED WATTS	SENSIBLE RECOVERY EFFICIENCY	APPARENT SENSIBLE EFFECTIVENESS	LATENT RECOVERY/ MOISTURE TRANSFER
°C	°F	L/S	CFM	M ³ /H				
HEATING								
0	32	24	50	85	42	75	84	0
0	32	31	65	110	54	75	83	0
0	32	40	84	143	66	73	80	0
-25	-13	30	64	109	72	70	84	0.05

NOTE: All specifications are subject to change without notice.

SPECIFICATIONS

- Model: AVS E10 HRV
- Part Number: 41126
- Total Assembled Weight (including polypropylene core): 52 lb. (23.6 kg)
- Oval shaped ports; fit 6" round ducts
- Drain: 1/2" (1.2 cm) integrated fittings with 10 ft. (3 m) PVC drain hose
- Core Filters: 2 washable Merv 7 filters, 9.2" x 14.25" x 0.38" (23.4 cm x 36.2 cm x 1 cm)
- Housing: Pre-painted steel
- Insulation: Expanded polystyrene
- Mounting: Suspension by chains and springs
- Supply and Exhaust Blower Motors: 2 PSC motors
 - Protection type: Thermally protected
 - Insulation class: F
- Heat Recovery Core:
 - Heat Exchange Surface Area: 100 ft.² (9.3 m²)
 - Type/Material: Crossflow/Polypropylene
- Speed Control on Unit:
 - Low speed and high speed
 - Other modes available with Altitude, Deco-Touch or Lite-Touch Constructo main controls
- Unit Electrical Characteristics:

Volts	Frequency	Ampere	Watts
120	60 Hz	0.9	84

Project:	REMARKS
Location:	
Part no.: 41126	
Qty.:	
Submitted by: _____ Date: _____	



Residential Products Group, 550 Lemire Blvd., Drummondville, Qc, Canada J2C 7W9 - Tel.: 1-800-567-3855 Fax: 1-800-567-1715



www.venmar.ca

AVSE10HRVd151014