



## ERV DUO 1.5

Part no. 46700

68 to 120 CFM (0.4 in. w.g.)



VB0162

### DUO®: ENERGY RECOVERY VENTILATION FOR HOT AND COLD SEASONS

Homeowners who want the best in energy-recovery ventilation choose the Duo 1.5 for its heat and moisture recovery efficiency, its reliability and very quiet operation. When used along with the Altitude IAQ wall control with SMART mode (automated ventilation based on indoor relative humidity and outdoor temperature), the Duo 1.5 allows you to optimize your ventilation and your energy consumption. The Duo is a great choice for year-round ventilation that reduces your air conditioning loads in summer and your heating requirements in winter.

- Enthalpic wheel with superior heat and moisture transfer
- Maintenance free, totally enclosed, sealed bearings motor
- Pressure taps, balancing dampers and straps for insulated ducts for quick, effective installation
- Reversible for greater installation flexibility
- No drain required
- Recirculation mode to move air in homes without forced-air heating

### REPAIRS AND MAINTENANCE

Venmar AVS DUO modular design makes it possible to remove all mechanical parts in less than 5 minutes. The recovery wheel and its driving mechanism are characterized by their simplicity and ease of maintenance. Resorting to proven technologies, the Venmar development team applied the principle of the belt-driven system used in cars and used a shock and vibration-absorbing axle to prevent wear on the motor.

The low power consumption motor is permanently lubricated. Finally, the electronic circuit board eliminates electromechanical parts, reducing repair time to a minimum.

### WARRANTY

The ERV DUO 1.5 is protected by a complete 5-year warranty on parts, including the energy recovery thermal wheel, with the original proof of purchase.

Available at:

# ENERGY RECOVERY VENTILATOR

### Controls

- This unit is very simple to operate. Once it is installed, press on its push button, located on the bottom of the unit, to activate it. Press once for low speed, once again for high speed, and once more to stop it.
- For more convenience, this unit can also be controlled by an optional main control. For a complete list of optional main and auxiliary controls available, refer to the **Wall Control Compatibility Chart** on last pages of wall controls specification sheet, available at [www.venmar.ca](http://www.venmar.ca).
- For more details about controls, refer to the **Main and auxiliary wall controls** user guide, also available at [www.venmar.ca](http://www.venmar.ca).

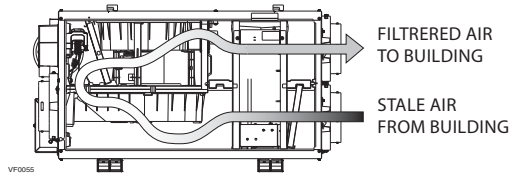
### Options

- Complete line of registers and diffusers

### Defrosting System

The ERV Duo 1.5 uses an efficient defrosting method. No negative pressure is created by air exhausted to the outdoors, as the air is recirculated into the house, helping to prevent any backdraft.

OUTDOOR TEMPERATURE		DEFROST CYCLE (MINUTES)
°C	°F	DEFROST / OPERATION
WARMER THAN -5	WARMER THAN 23	NO DEFROST
-5 TO -15	23 TO 5	9 / 60
-15 TO -27	5 TO -17	9 / 32
-27 AND LESS	-17 AND LESS	9 / 20



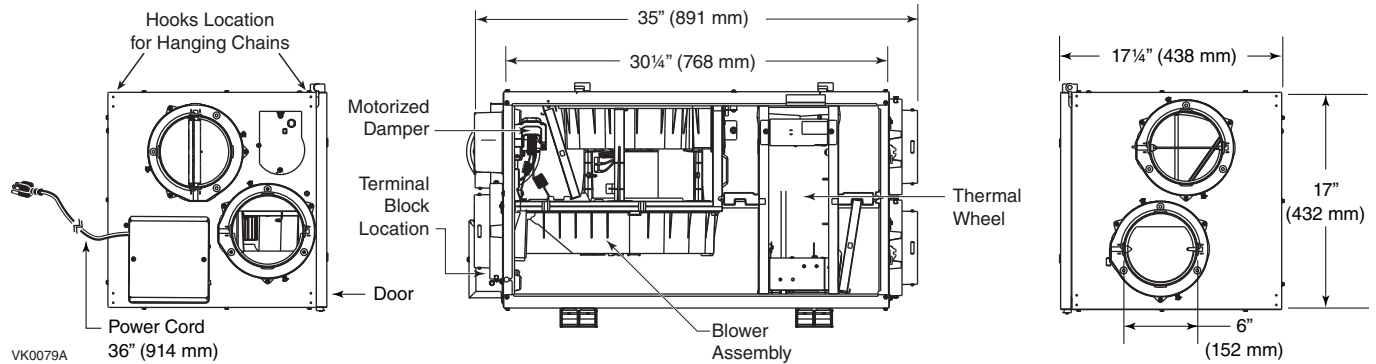
### Energy Recovery Wheel

- Dimensions: 14" Ø x 3.75" (36 cm x 9.5 cm)
- Weight: 5.5 lb. (2.5 kg)
- Material: Polymeric wheel impregnated with desiccant
- Type: Combined plastic
- Warranty: 5 years

### Requirements and Standards

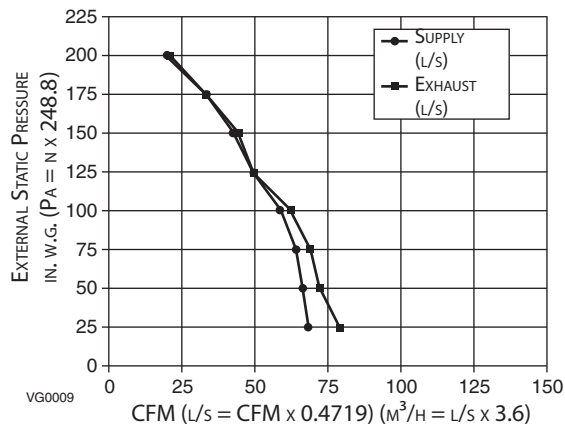
- Complies with the UL 1812 requirements regulating the installation of Energy Recovery Ventilators
- Complies with the CSA C22.2 no. 113 Standard applicable to ventilators
- Complies with CSA F326 requirements regulating the installation of Energy Recovery Ventilators
- Technical data was obtained from published results of tests relating to CSA C439 Standards
- HVI certified

## DIMENSIONS: ERV Duo 1.5



## VENTILATION PERFORMANCE

EXTERNAL STATIC PRESSURE	NET SUPPLY AIR FLOW	GROSS AIR FLOW								
		SUPPLY			EXHAUST					
PA	IN. W.G.	L/S	CFM	M <sup>3</sup> /H	L/S	CFM	M <sup>3</sup> /H	L/S	CFM	M <sup>3</sup> /H
25	0.1	68	145	248	70	148	252	78	165	281
50	0.2	65	137	234	66	140	238	72	153	259
75	0.3	60	127	216	61	129	220	65	138	234
100	0.4	57	120	205	58	123	209	60	127	216
125	0.5	49	104	176	50	106	180	49	104	176
150	0.6	43	91	155	44	93	158	42	89	151
175	0.7	30	64	108	31	66	112	31	66	112
200	0.8	22	46	79	22	47	79	23	49	83



## ENERGY PERFORMANCE

SUPPLY TEMPERATURE	NET AIR FLOW	POWER CONSUMED	SENSIBLE RECOVERY EFFICIENCY	APPARENT SENSIBLE EFFECTIVENESS	LATENT RECOVERY MOISTURE TRANSFER			
						°C	°F	L/S
HEATING								
0	32	32	68	115	110	70	80	0.79
0	32	47	100	169	164	65	74	0.67
0	32	57	121	205	172	64	72	0.60
-25	-13	29	61	104	120	64	79	0.65
-25	-13	-	-	-	-	-	-	-
COOLING								
					TOTAL RECOVERY EFFICIENCY			
35	95	31	66	112	104	69		
35	95	57	121	205	168	61		

NOTE: All specifications are subject to change without notice.

## SPECIFICATIONS AND RATINGS

- Model: ERV Duo 1.5
- Part Number: 46700
- Total Assembled Weight (including energy recovery wheel): 73 lb. (33 kg)
- 6" Round Ports
- Filters: 15 ppi washable reticulated foam  
15.375" x 7.125" x 0.75"  
(39 cm x 18 cm x 1.9 cm)»
- Housing: Pre-painted steel
- Insulation: Expanded polystyrene
- Mounting: Suspension by chains and springs
- Supply & Exhaust Blower Motor: 1 PSC Motor
  - Protection type: Thermally protected
  - Insulation class: B
- Speed Control on unit: Low and High speeds. Other modes available with optional main wall controls.
- Unit Electrical Characteristics:
 

Volts	Frequency	Amps	Watts
120	60 Hz	1.6	170

Project:	REMARKS
Location:	
Part Number: 46700	
Quantity:	
Submitted by:	Date:



Residential Products Group, 550 Lemire Blvd., Drummondville, Qc, Canada J2C 7W9 - Tel: 1-800-567-3855 Fax: 1-800-567-1715



www.venmar.ca

ERVDuo1.5d151014